

XR937H

Large View Light Reactive Welding Helmet

User Instructions



XR937H - Large View Light Reactive Welding Helmet

1. Introduction

Thank you for your purchase of the Parweld XR937H Welding Helmet. Please read and understand this instruction manual thoroughly to ensure correct, safe and effective use of the helmet. Failure to do so can result in serious injury. Keep the manual safely.

2. Product Features

Based on the principle of LCD (Liquid Crystal Display) valve in the helmet that darkens the moment a welding operation starts. The shade value can be adjusted between DIN 5 and DIN 13. The helmet includes IR (Infra-Red) and UV (Ultra Violent) filters consisting of reflective coated glass, multi-layer filter and a polarizer. This effectively blocks any ultra violent and infra-red rays, protecting the user's eyes and face, even in the clear state. The helmet uses a true colour filter which improves the contrast and visibility especially with green LED's or lights on machine panels. The colours within the welding arc will appear more realistic.

Working Temperature
Range from -10 to +60°C.

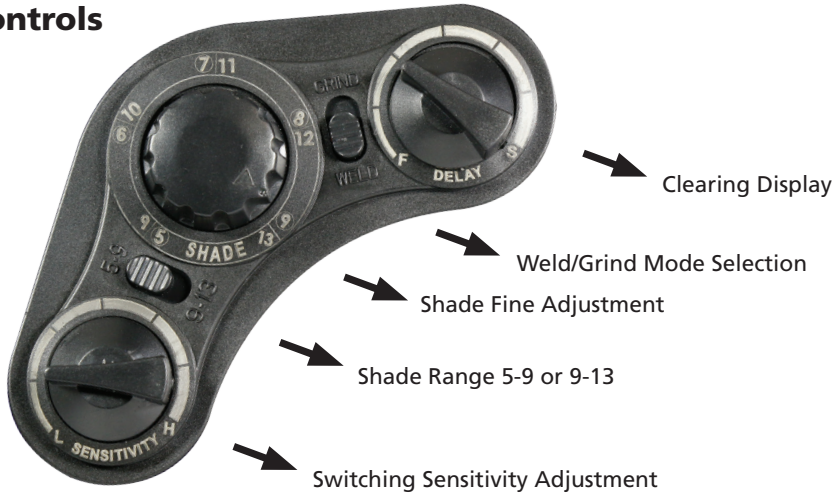
Storage Temperature
Range from -20 to +70°C.

Relative Humidity
Range from 20% to 80%.

3. Technical Specifications and Parameters

View area (mm):	101 x 94
Shade Range	Clear state: DIN 3, DIN 5
	DIN 5-9, Stepless Adjustable
	DIN 9-13, Stepless Adjustable
Switching Time	1/30000s
Clearing Delay	0.1-1.0s, Stepless Adjustable
Sensitivity Control	Low to High, Toggle Adjustment
Operation Mode	Weld or Grind
UV/IR Protection	DIN 16 Permanent
Alerts	ADF Self-check, Low Battery Alarm

4. Controls



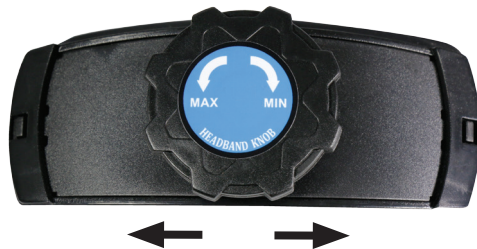
5. Adjustment to Suit Your Head

Adjust the rake angle so the viewing window is in front of the eyes and the base of the helmet sits close to the chest in the down position.

Slacken the external adjusting knob on the side and then move the tab inside to set the rake angle.

a. Headband Size

Adjust the headband diameter so the helmet slips over your head.



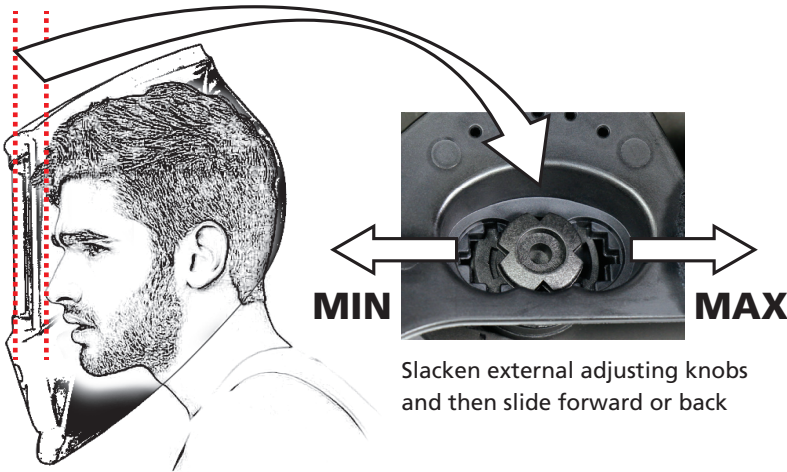
Then adjust the two other head bands so that they touch the top of your head in the normal wearing position.



This will improve the long term comfort when wearing the helmet.

5. Adjustment to Suit Your Head

b. Adjust the Distance Between Face and ADF



6. Operating Instructions

- Open the package and take out the helmet. Check to make sure it is intact and undamaged including the lithium battery, installed on the helmet.
- Do not use the Welding Helmet if the lens is cracked or if the lens is dirty.
- **Adjusting the switch sensitivity** – the operator can adjust the amount of light required for the lens to darken, depending on working conditions. Reduce sensitivity to avoid interference from lighting or other welders nearby. When working with a low power or TIG welding high sensitivity is preferred.
- **Adjusting dark to clear delay** – the time for the filter to return to clear state can be adjusted, depending on working conditions level. When welding is stopped, the filter screen automatically changes from dark to clear state according to the time setting selected. For high amperage select along delay or for TIG applications to prevent flickering at low power. Short delay is preferred for spot welding applications.
- **Adjusting the Shade Range** – the operator can select (DIN) variable shades from 9 to 13 at the turn of the shade knob. Refer to **Recommended Shade Numbers** on page 5 for shade selection.
- This helmet provides protection for arc welding purposes only. It is not suitable for laser welding processes. The Welding Helmet will not protect against severe impact hazards. The Welding Helmet will also not protect against explosive devices or corrosive liquids.
- Use only at temperatures within the operating range.

7. Maintenance

To Replace the Cover Lens

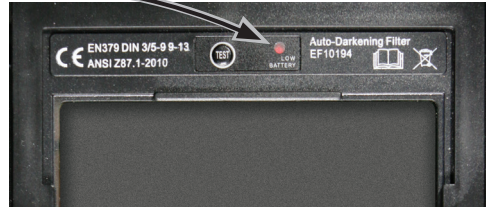
- Remove the Front Lens Cover by sliding the 2 tabs at the base of the filter unit on the inside of the helmet to the unlock position.
- Lift up the lower end of the frame and the ADF unit and slide out the old filter.
- Remove the protection film from both sides of the new Lens. Place the new Lens into place.
- Refit the ADF and the locking frame ensuring the tabs at the top of the frame are engaged before locking the sliders at the base.
- Clean the filter lens with a lint-free tissue or cotton cloth.
- Do not immerse the lens in water or any other liquid. Do not use abrasives, solvents or oil based cleaners.
- Do not remove the Auto-Darkening filter from the Auto-Darkening Welding Helmet. Do not try to open the filter.
- Clean filter's surfaces regularly. Protect filter from contact with any liquid and dirt. Do not immerse the filter in water.
- Should the Auto-Darkening Welding Helmet not darken upon striking an arc, stop welding immediately and check if the battery needs replacing. If the lens still does not darken, have the helmet checked by an authorized service technician.
- Replace the Front Lens Cover if it is cracked, scratched or damaged in any way.
- The Auto Darkening Filter must never be placed on a hot surface.

Recommended Shade Numbers

	CURRENT AMPERES																							
WELDING PROCESS	0,5	1	2,5	5	10	15	20	30	40	60	80	100	125	150	175	200	225	250	275	300	350	400	450	500
Covered Electrodes	Shade 9									10	Shade 11			Shade 12			Shade 13			14				
MIG Plate Welding	Shade 10									Shade 11			Shade 12			Shade 13			14					
MIG Sheet Welding	Shade 10									Shade 11			Shade 12		Shade 13		Shade 14		15					
TIG	Shade 9			10	Shade 11			Shade 12		Shade 13		Shade 14												
MAG	Shade 10									11	12	Shade 13			Shade 14		Shade 15							
Arc Gouging	Shade 10									11	12	13	14	Shade 15										
Plasma Cutting	Shade 11									Shade 12			Shade 13											
Plasma Welding	4	5	6	7	8	9	10	11	Shade 12			Shade 13			Shade 14		Shade 15							

7. Maintenance

Adjust the Distance Between Nose and ADF



Replacement of Batteries

Please replace lithium battery, when the low-voltage indicator is showing red.

Carefully open battery compartment. Always replace both batteries at the same time. Then slide the compartment lid snap to close.

Press the test button to check the ADF is working correctly, this should work immediately changing from light to dark. Then turn to the light position immediately and the device is ready to use.



2 x CR2032

Dispose of used batteries correctly, by local government regulation or send to a professional organisation.

8. Warranty

- The manufacturer provides a warranty of 24 months from invoice date for all manufacturing defects. The warranty becomes void if not operated according to the instruction manual. The warranty becomes void if the helmet has been modified in any way.

9. Storage

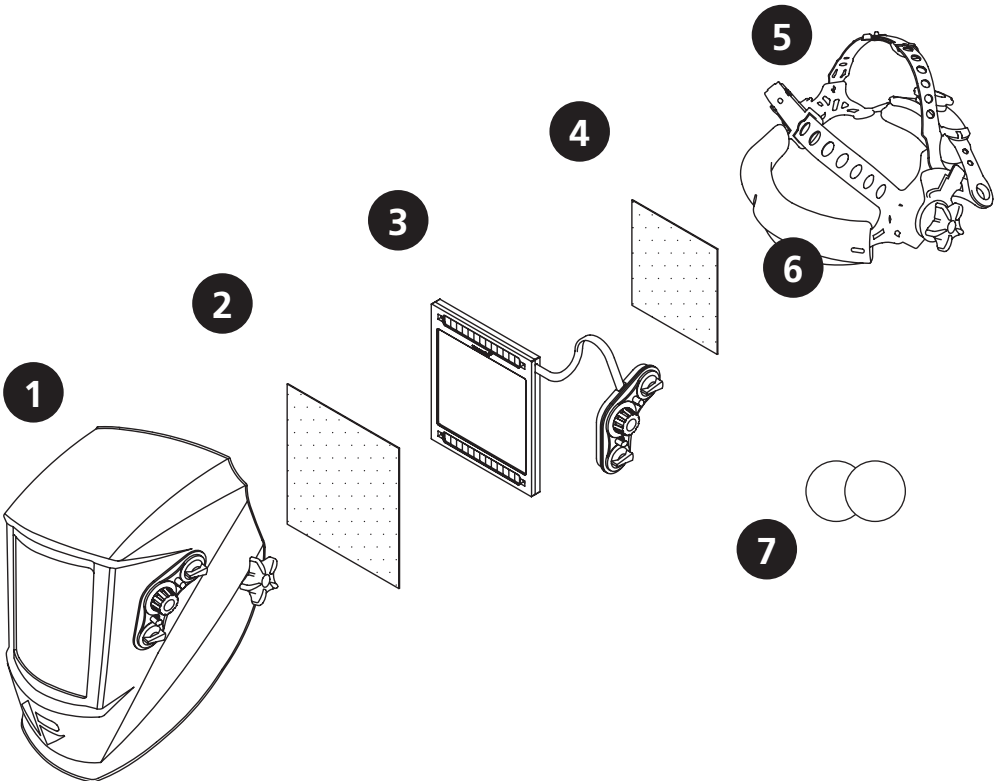
- Remove the battery when the helmet is not in use for a long period of time.
- Storage temperature range is -20°C ~ 70°C.

XR937H - Large View Light Reactive Welding Helmet

10. Parts List

Parts List and Headband of Assembly Diagram

Item	Description	Part No
1	Welding Helmet Complete	XR937H
2	Front Cover Lens	XR9720
3	Auto-Darkening Filter (ADF)	XR9700
4	Inside Cover Lens	XR9730
5	Headband Assembly	XR9740
6	Sweatband	XR1012
7	Battery (2 Required)	XR363



PARWELD LIMITED

Bewdley Business Park, Long Bank,
Bewdley, Worcestershire, DY12 2TZ

T +44 (0) 1299 266 800 F +44 (0) 1299 266 900

UK AND IRELAND SALES +44 (0) 1299 269 500

EXPORT SALES +44 (0) 1299 269 507

E info@parweld.co.uk www.parweld.com